

Richnerstutz.

Tension fabric

frames.

Tension fabric frames. Uses.

You tell us what, where and how, and we'll get back to you with just the right solution. Our tension fabric frames can be engineered in a wide variety of shapes, and adapt perfectly to any room.

Advantages

- Straightforward assembly and easy changes of visual
- Reusable and simple to store
- Any dimensions possible
- Available in various shapes and colors
- Freestanding, wall-mounting, ceiling-suspendable
- Door or screen cutouts
- Full-service design, engineering, production and assembly



Tension fabric frames. Made to measure for you

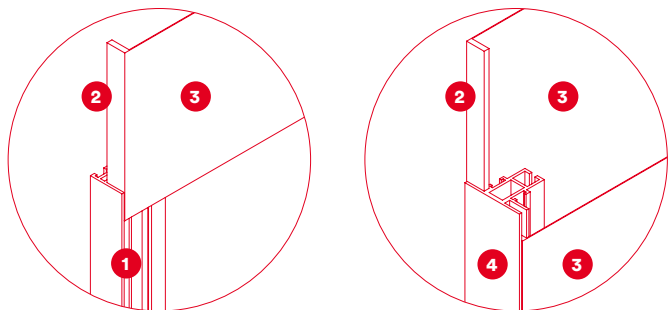
No matter what your requirements, we can fulfill them with our tension fabric frames. Simply choose your preferred format from our wide range of profiles. We stitch a flat welt around the entire edge of your printed or plain fabric so that it will fit perfectly in the groove in the profile. That way you will be able to perfectly tension your print and also change your visual whenever you need to, simply by inserting a new print.

We will help you choose the right fabric for your needs – say translucent for eye-catching illumination or light-blocking if you require opacity, with black backing or with sound-absorbent properties.



The profiles are made from anodized aluminum as standard, but can be powder coated in any color. We also offer wall-mounting wooden profiles that produce a picture frame effect.

- 1 Single-groove (one-sided) profile
- 2 Flat welting
- 3 Printed fabric
- 4 Double-groove (two-sided) profile



Tension fabric frames. Wall mounting.

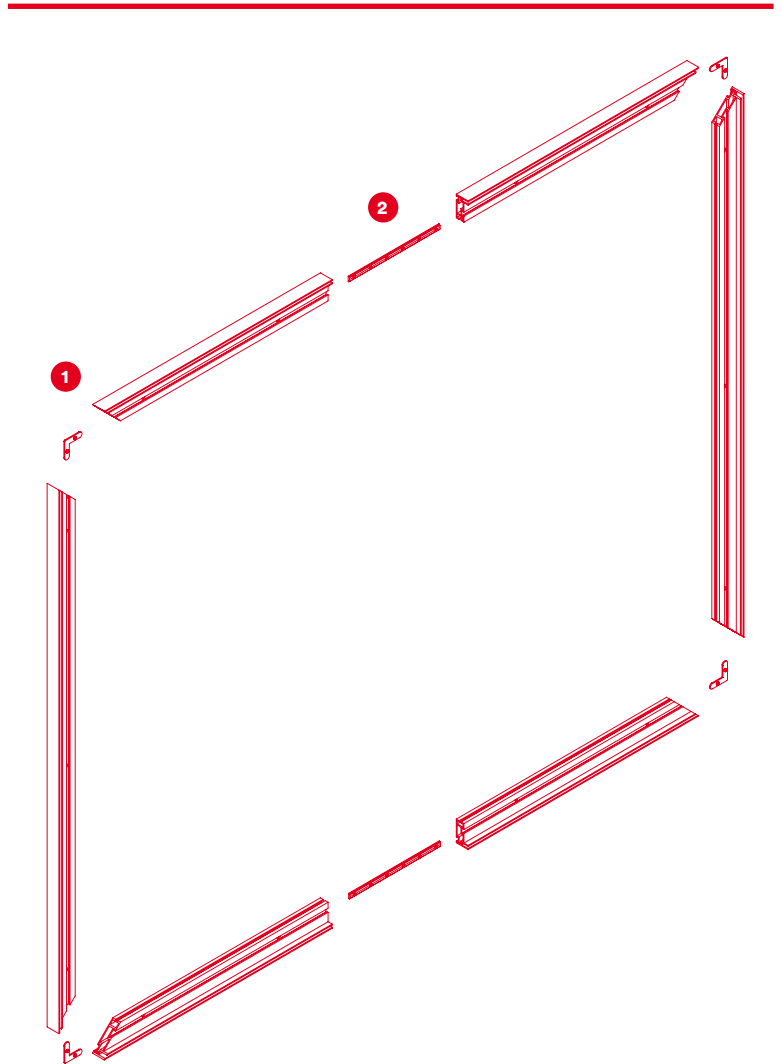
Farewell sad, empty walls, hello wall-mount tension frame! Spruce up your premises with a wall-mount tension frame or use it as a flexible indoor advertising space that can be configured to whatever size you like.

Our tension frames are made to measure, and special cutouts – say for doors or windows – can be incorporated without any problem.

On request we can also incorporate screens of any size by means of special mounting brackets.

To ensure the frames don't sag, we fit vertical struts to installations with spacers.

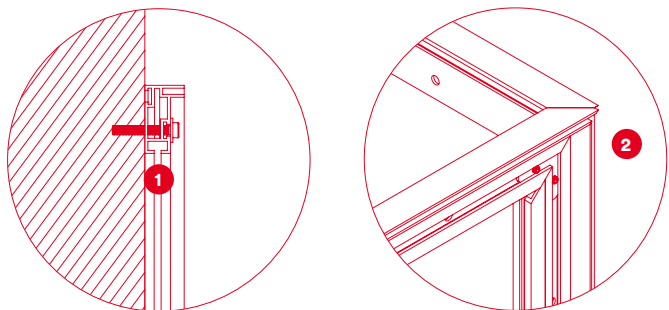
- 1 Corner connector
- 2 Extension bar



The tension frame can be either mounted directly on the wall itself or on spacers.

Matching corner profiles are also available for 3D installations.

- 1 Direct mounting
- 2 Corner profile



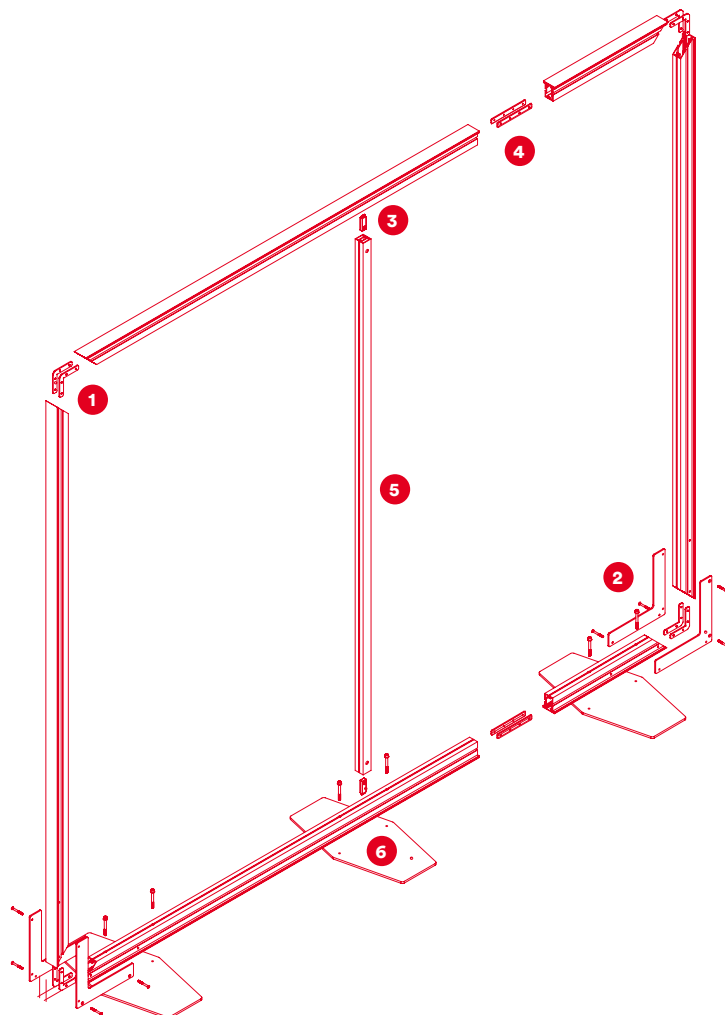
Tension fabric frames. Freestanding installations.

Because freestanding tension fabric frames can be assembled in a variety of shapes, from squares and rectangles to circles and cubes, they are an extremely flexible resource at trade fairs and events.

Want to install a screen? No problem, we can do that too. On request we can also incorporate our own custom-developed door elements into freestanding frames.

And best of all: The profiles and foot plates can be powder-coated in any color you like to make sure they blend harmoniously into their surroundings or your visual.

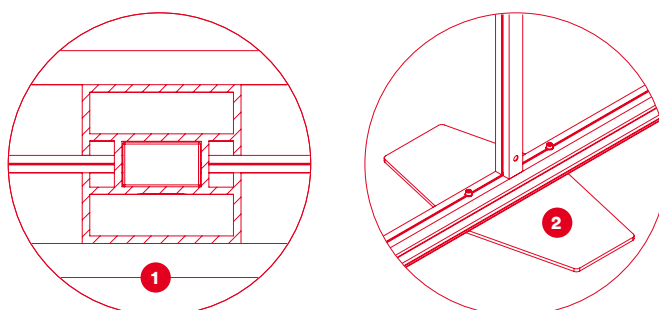
- ❶ Corner connector
- ❷ Corner connector back plate (from 4 m or higher)
- ❸ Profile lock
- ❹ Longitudinal connector
- ❺ Support profile
- ❻ Foot plates



Depending on their position and where they are being used, the foot plates ensure maximum floor contact and reliable stability.

Our two- and three-leg corner connectors can be used to produce 3D frames.

- ❶ Cross-section of support profile.
- ❷ Foot plate



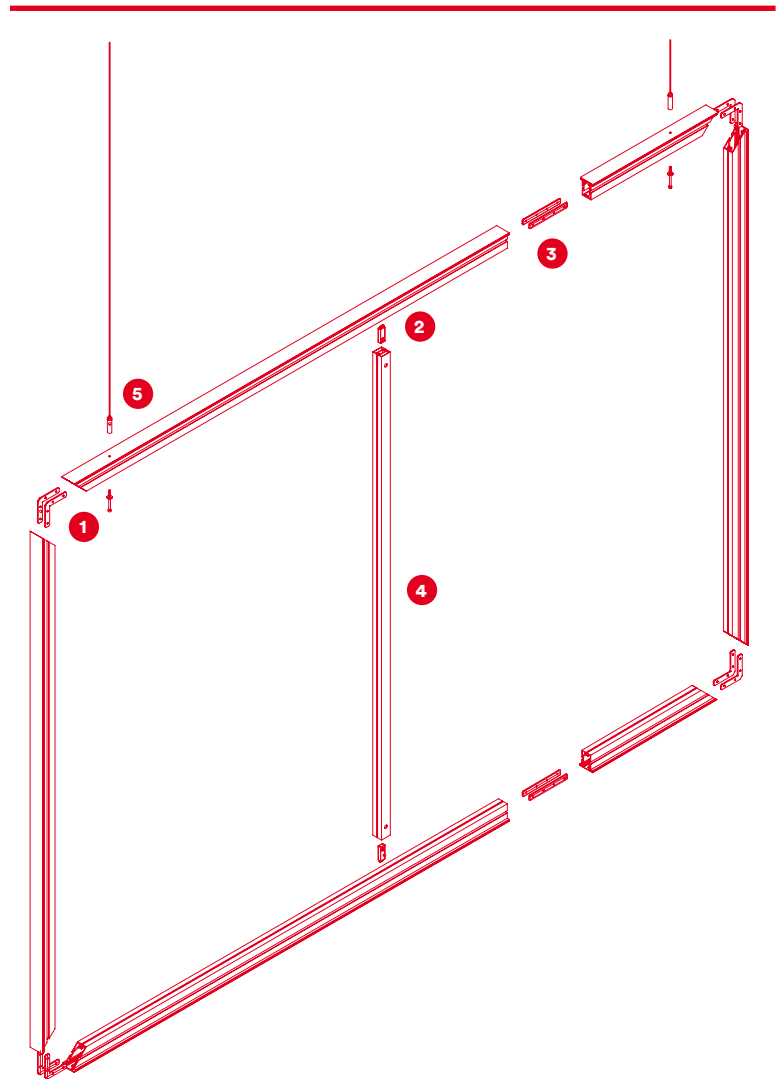
Tension fabric frames. Ceiling suspension.

Suspended tension frames are the right choice for a spacious, airy feel, which is why they are often used for POS displays, frequently fitted out with seasonal images.

Circular tension frames can also be suspended, and their striking appearance makes them a particularly popular choice for trade fairs.

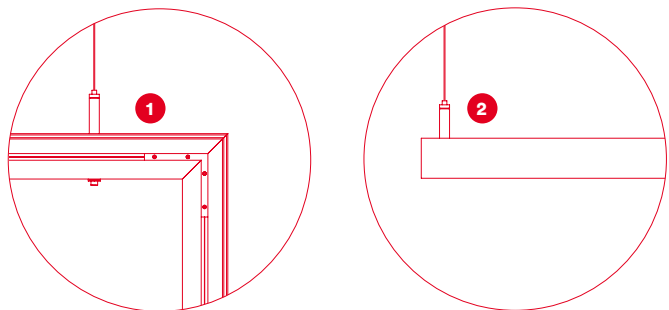
Vertical struts are a discrete way of preventing frames from sagging, since the double-sided fabric covering conceals them skillfully.

- 1 Corner connector
- 2 Profile lock
- 3 Longitudinal connector
- 4 Support profile
- 5 Cable suspension



We use special spacers to connect tension frames to ceilings. There are two types of suspension: vertical and horizontal. Frames can be suspended at any distance from the ceiling.

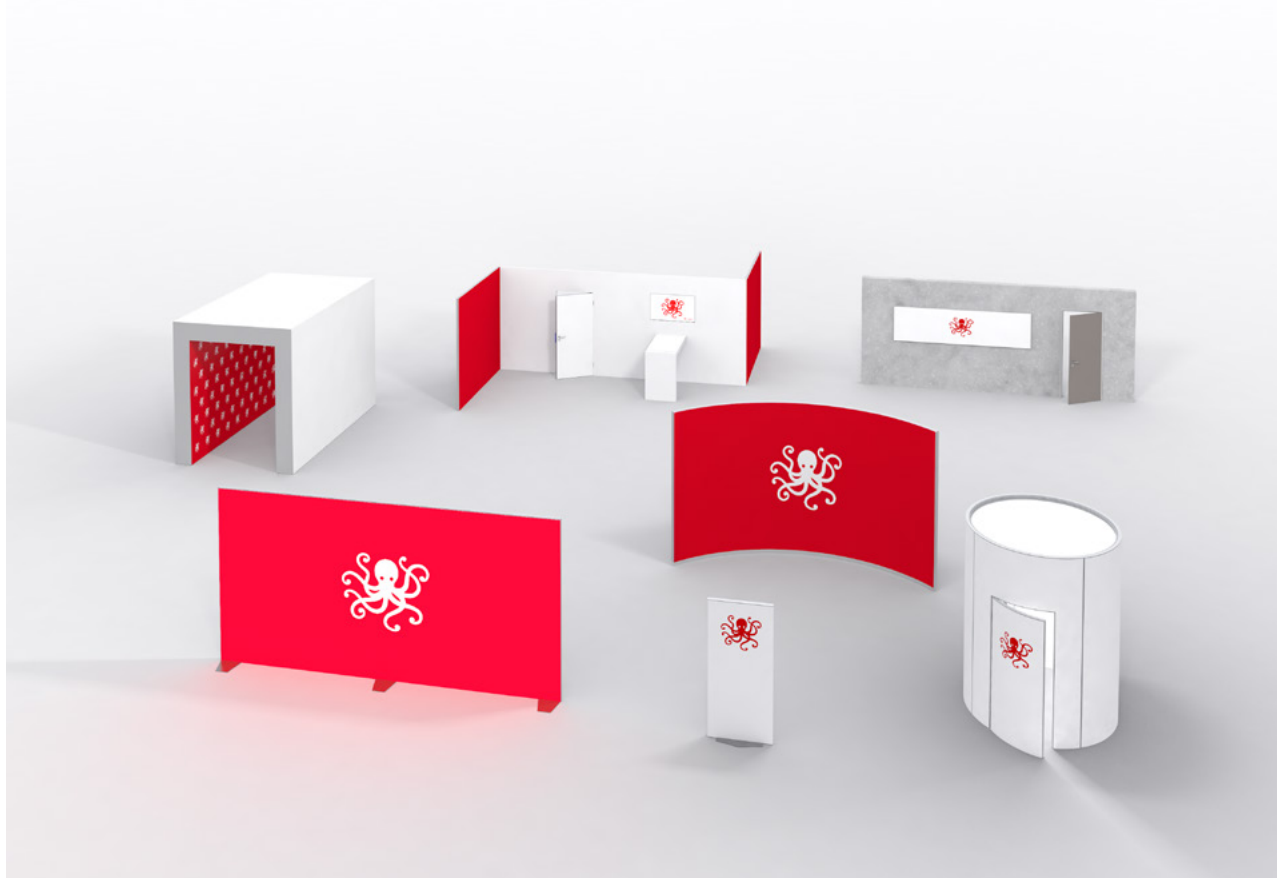
- 1 Vertical cable suspension
- 2 Horizontal cable suspension



Tension fabric frames. Special designs.

Cubes, circles, backlit images and freestanding rooms complete with doors are all possible with just one profile type. Our tension fabric frames can be combined to form a variety of shapes or integrated into existing systems. This makes them the ideal, custom-built solution for trade fairs and events.

To give you a better picture, our design team will prepare clear plans of exactly how they will make your tension fabric project reality.



Tension fabric frames. Our services.

Let us worry about your tension fabric frame. We offer a full range of services for everything from suggested graphic designs and data checking to design and assembly.

Production takes place entirely in Villmergen, including digital printing and metalworking. From Villmergen our assembly team will deliver your new tension fabric frame to wherever you want it. Once the frame has been assembled, we will be happy to help you make sure your messages are always topical by changing the visual for you.

Our tension fabric frame services:



Engineering design

Adaptation, applications, shapes and special designs



Graphics & design

Suggested graphic designs, photo collages and data checking



Production

Digital printing, metalworking, individual processing and trial set-up



Logistics

Dispatch, storage and disposal



Assembly

On-site assembly service and changes of visual



Rent

Rental options for temporary installations

Tension fabric frames. References.



Hanging tension frames carrying double-sided textile prints for an exhibition at the National Museum in Zurich.



Temporary room paneling for various renter at the WEF in Davos. The self-contained constructions did not impair the surfaces they were standing on.

Tension fabric frames. References.



Trade fair exhibit consisting of a cube, freestanding walls and a hanging fabric frame for Brugg Cables at Hanover Trade Fair.



Tension fabric frames being used as walls in crowdhouse's pop-up store on Paradeplatz, Zurich.

Tension fabric frames. References.



Curved tension frame at UBS's Annual General Meeting.



Freestanding tension frame with built-in screen at the Montreux Jazz Festival.

**Tension fabric frames.
References.**



AMAG at Auto Zürich.



Wooden tension frame used as an information point by SV Group.

